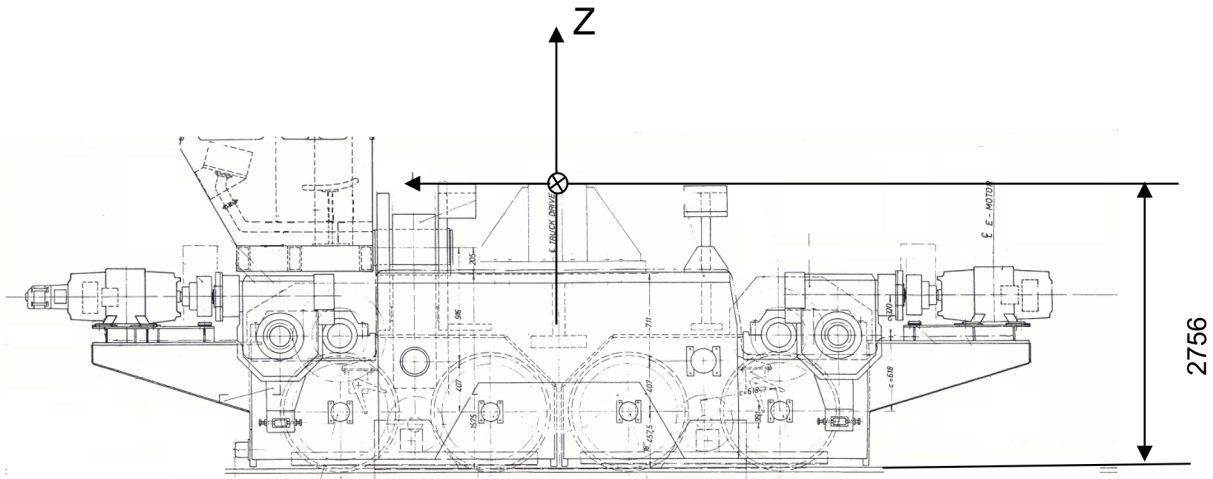


2. Loadings



Load Description	Load Direction	Load (kips)	Support Condition
Dead Load (DL)	Z	- 1687	Supported on wheels
	X	0	„
	Y	0	„
DL + 40 knot	Z	- 1843	Supported on wheels
Wind Load	X	± 72.67	
	Y	± 184.3	
DL + 72 knot	Z	- 2187	Supported on Wheels
Wind Load	X	± 239.33	Mated With Orbiter
	Y	0	
DL + Hurricane	Z	- 2919	Supported on tie
Wind Load	X	± 433	down lugs
	Y	0	